

Mobile Hand Washing Station Stainless Steel



Model 9620
(Shown with optional
bottom skirt.)



Model 9600



Interior view of Model 9620

Models 9600, 9610, 9620

Ideal for remote serving locations where hand sanitation is required.

- Built-in fresh water supply and waste water storage.
- Sink and cabinet are constructed of durable, easy to clean and sanitize stainless steel.
- Warm and cold water versions available
- Sink bowl is 10" x 12" x 5" (254 x 305 x 127 mm) deep.
- Heavy duty faucet(s) is (are) chrome plated brass with convenient on/off wrist blade control(s).
- Chrome plated soap dispenser is securely mounted next to the sink.
- Locking door latch prevents unauthorized access to the interior.
- Rolls smoothly on 4 ea. tough-duty 5" (127 mm) No-Mark® cushion tread swivel casters (2 each with brake).

Spec. # _____

AIA # _____

Specifications

Shall be Model (9600, 9610, 9620), and shall feature welded stainless steel cabinet construction. Unit shall have one (two) each removable 5-gallon tank(s) for fresh water supply, and one (two) each 7-gallon tank(s) for waste water storage. Top shall feature drop-in stainless steel sink bowl with drain and pump soap dispenser. Faucet shall be chrome plated brass with wrist blade control(s). Built-in water pump shall be 150 psi, 115 VAC, 0.9 amp, with automatic demand (no priming required), and shall feature backflow protection to prevent fresh water contamination. Access door shall feature recessed paddle latch with security key lock. Bottom corner bumpers shall be standard on Model 9600 and 9620. Casters shall be 5" non-marking, two each fixed and two each swivel with brake.

Model 9610, 9620:

Shall have built-in 2½-gallon electric 1500 watt (2000 watt for model 9620) water heater (120 VAC, 12.5 amp [9610], 20 amp [9620]), featuring adjustable thermostat (110°F to 170°F), corrosion-resistant bronze tank, on/off switch, 150 psi operating pressure, and replaceable heating element.

Lakeside Manufacturing, Inc.

4900 West Electric Avenue • West Milwaukee, WI 53219 U.S.A.

800-558-8565 • 414-902-6400 • Fax 414-902-6446 • info@eLakeside.com • www.eLakesideFoodservice.com

Models

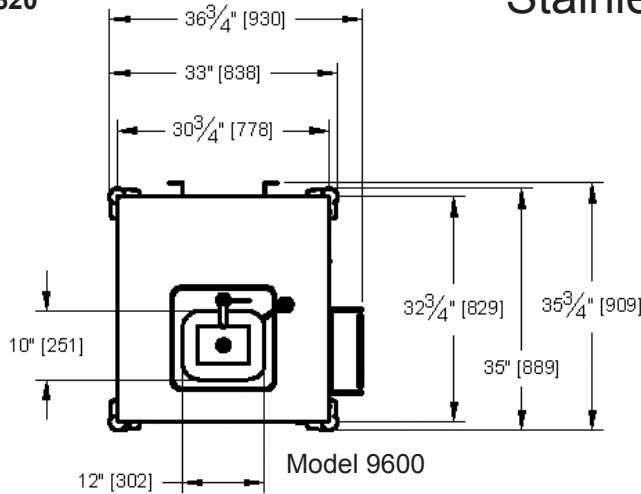
9600
9610
9620

Mobile Handwashing Stations

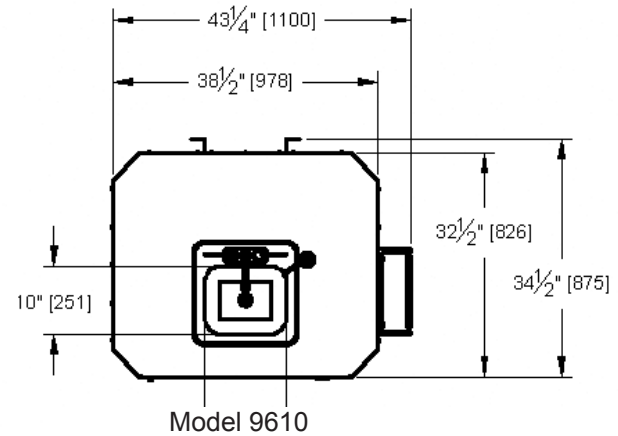
Stainless Steel

Spec. #

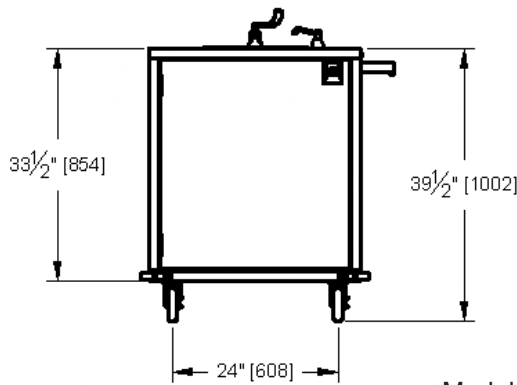
A/A #



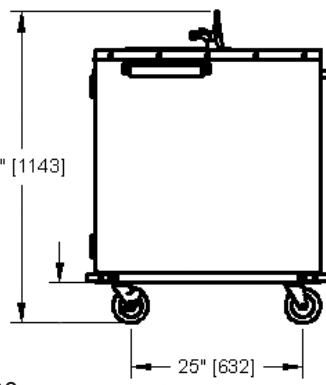
Model 9600



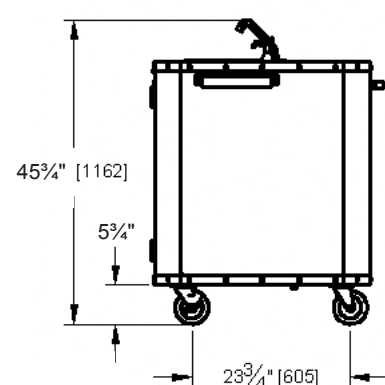
Model 9610



Model 9600



Model 9610



Model Information

Model	Water Supply	Fresh Water Cap.	Waste Water Cap.	Overall Size			Unit Wt.* Lbs.	Ship Wt. Lbs.
				W	L	H		
9600	Cold	5 Gal.	7 Gal.	33" (838)	35" (889)	45" (1143)	189 (85.1 kg)	222 (100 kg)
9610	Warm/Cold	10 Gal.	14 Gal.	32 1/2" (825)	38 1/2" (978)	45 3/4" (1162)	205 (92.3 kg)	238 (107 kg)
9620	Warm	5 Gal.	7 Gal.	23 1/2" (597)	29 3/4" (756)	43 1/4" (1099)	126 (56.8 kg)	148 (67.3 kg)

Measurements in () denote metric millimeters, unless otherwise specified.

*Without water.

Electrical Specifications

Model	VAC	Watts	Amps
9600	115	-	0.9
9610	120	1500	13.4
9620	120	2000	20.0

Options

- Extra supply and waste water tanks (Model 9600)
- Deluxe fold towel dispenser
- Vinyl or laminate finish
- Stainless steel caster skirting (Model 9620)



Optional fold towel dispenser
Models 9600, 9610



Optional fold towel dispenser
Model 9620



Lakeside Manufacturing, Inc.
4900 West Electric Avenue • West Milwaukee, WI 53219 U.S.A.
800-558-8565 • 414-902-6400 • Fax 414-902-6446
info@eLakeside.com • www.eLakesideFooservice.com