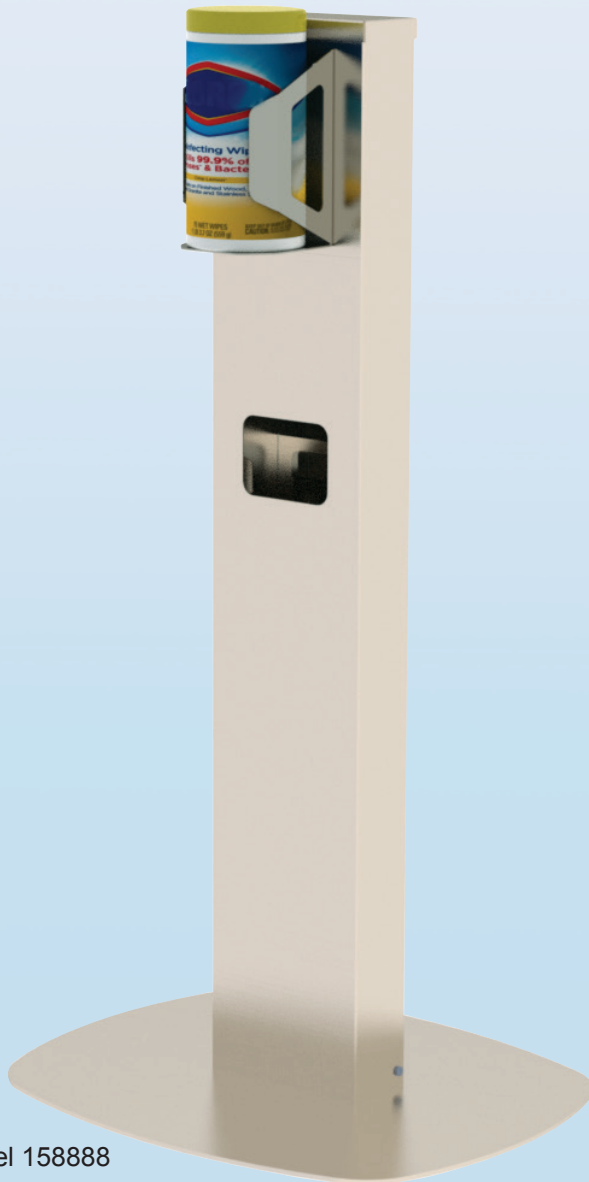


# QUICK-SAN™

## DISINFECTANT WIPE DISPENSING STAND

### *Ideal For Holding And Positioning Wipe Containers*

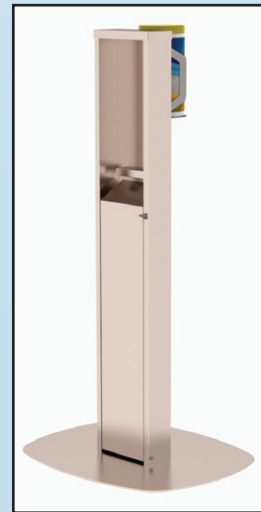
Quick-San stands provide convenient dispensing of essential disinfecting wipes near entrances and throughout facilities. Ideal for retail, schools, manufacturing, warehouse, medical, food service operations, and more. The stand includes a unique platform that securely holds most popular brand wipe containers, and includes a convenient built-in waste chute and receptacle for used wipes.



Model 158888



Back panel swings open for refuse bag replacement.



Rear View

**L LAKESIDE®**

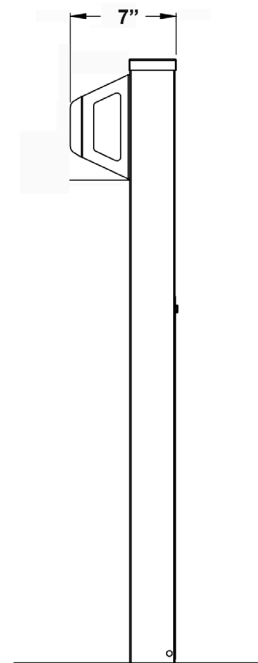
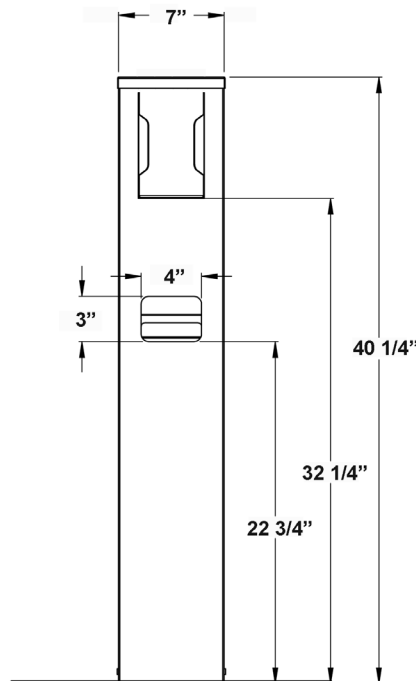
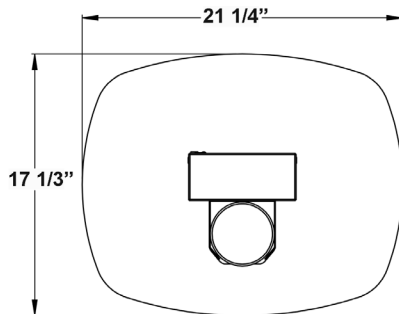
Over for additional information.

# QUICK-SAN™

## DISINFECTANT WIPE DISPENSING STAND

### DESIGN FEATURES

- Heavy-duty stainless steel construction
- Platform with clamps accepts most disinfectant wipe containers
- Convenient waste chute for used wipes
- Large solid stainless steel base provides safe upright stability
- Hinged back panel opens for easy waste bag replacement
- Shipped partially assembled for freight savings



**L LAKESIDE®**

4900 West Electric Avenue • West Milwaukee, WI 53219 U.S.A.

800-558-8565 • 414-902-6400 • Fax 414-902-6446 • info@eLakeside.com • www.eLakesideFoodservice.com