

RAPID RESPONSE™ SANITATION STATION

High-Volume - Stainless Steel

Rapid Response High-Volume Sanitation Stations are the recommended solution for high-traffic areas where bulk volume sanitizer is called for. Stations hold two, three, or four one-gallon containers to minimize refilling. Mobile versions can also double as resupply transport for smaller volume stations.



Model 158957
(Containers not included)

Model Information:

Model	Description	Capacity	Ship Weight
158957	Mobile	2 Gallons	28 lbs
158959	Stationary	2 Gallons	29 lbs
158960	Mobile	3 Gallons	30 lbs
158961	Stationary	3 Gallons	31 lbs
158962	Mobile	4 Gallons	32 lbs
158963	Stationary	4 Gallons	33 lbs



Model 158960



Model 158959



Model 158961



Model 158962



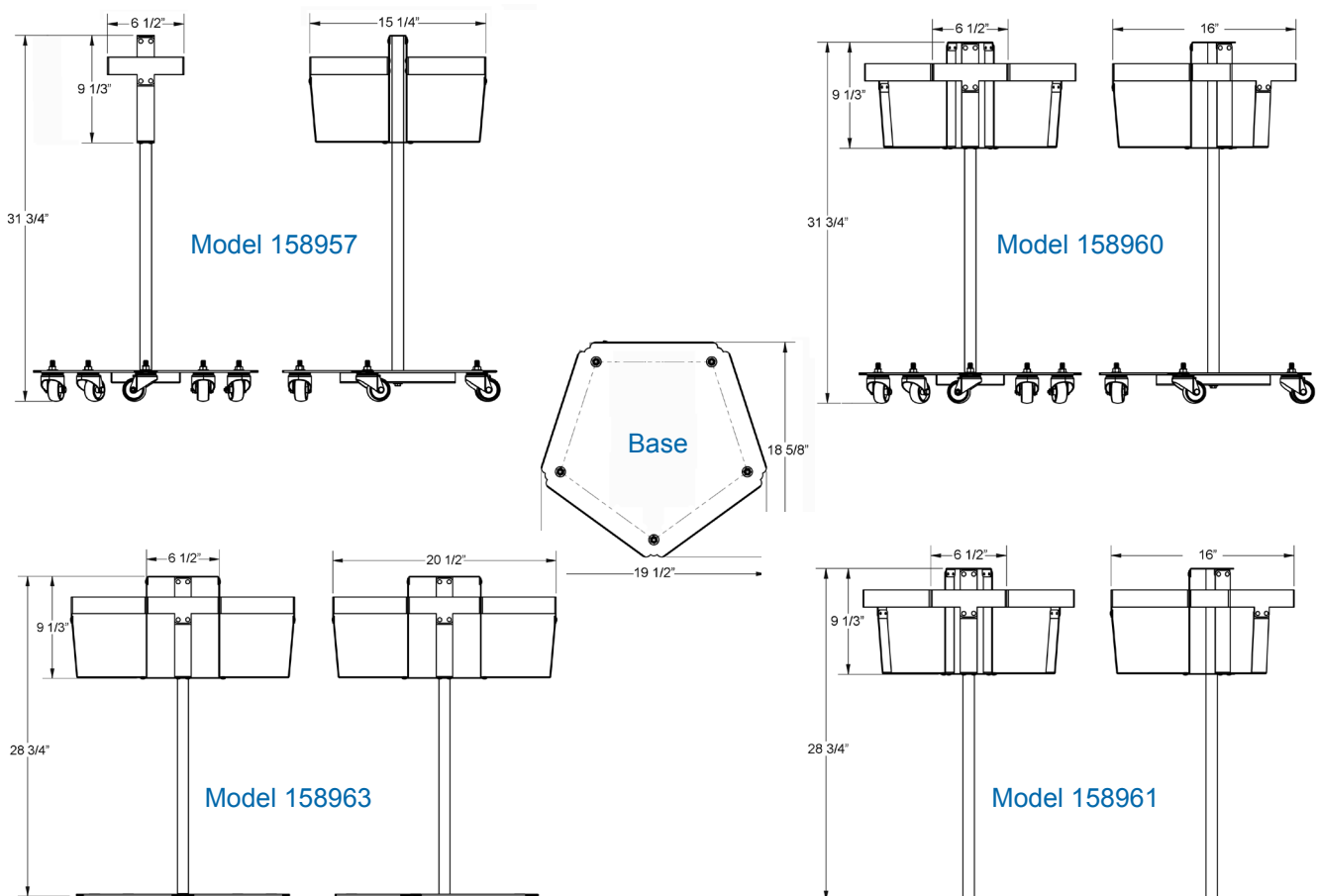
Over for additional information.

RAPID RESPONSE™ SANITATION STATION

High-Volume - Stainless Steel

DESIGN FEATURES

- All-welded stainless steel heavy-duty construction - designed for continuous use
- Large 20" diameter solid base for upright stability
- Mobile models roll easily and quietly on 5 each 2" swivel casters (fully fastened to base)
- Unique receptacles hold 2, 3, or 4 one-gallon bulk containers at convenient dispensing height
- Receptacles feature straps to hold containers securely
- Shipped fully assembled



4900 West Electric Avenue • West Milwaukee, WI 53219 U.S.A.
 800-558-8565 • 414-902-6400 • Fax 414-902-6446 • info@eLakeside.com • www.eLakesideHealthcare.com

