

# Flex Prep

## Tray & Flatware Cart - Stainless Steel

**Model 155043**

Spec. # \_\_\_\_\_

A/A # \_\_\_\_\_



Model 155043

### Attractive Mobile Station Allows Smooth Traffic Flow

#### Features

- Durable welded stainless steel construction
- Wide choice of decorative laminate or vinyl exterior trim finishes
- Raised platform for stacked tray dispensing
- Overhead frame accepts full-size pan

#### Benefits

- Rolls easily to desired location
- Attractive appearance with finish choices to match any decor
- Dispenses trays and other starter items

#### Casters

- 4" all-swivel, two with brake

### Specifications

Unit is of welded stainless steel construction with 18-gauge side/front/back panels and 16-gauge platform. Overhead pan holder is 18-gauge stainless steel, with 12" x 20" opening to accept full-size or fractional pans. Side panels are covered with laminate over stainless steel, in a variety of decorative choices. Casters are 4" all-swivel, two ea. with brake. Casters are plate-mounted to reinforced stainless steel crossmembers.

#### Option:

- 8-hole flatware cylinder holder  
(in place of 12" x 20" pan cutout)



Lakeside Manufacturing, Inc.

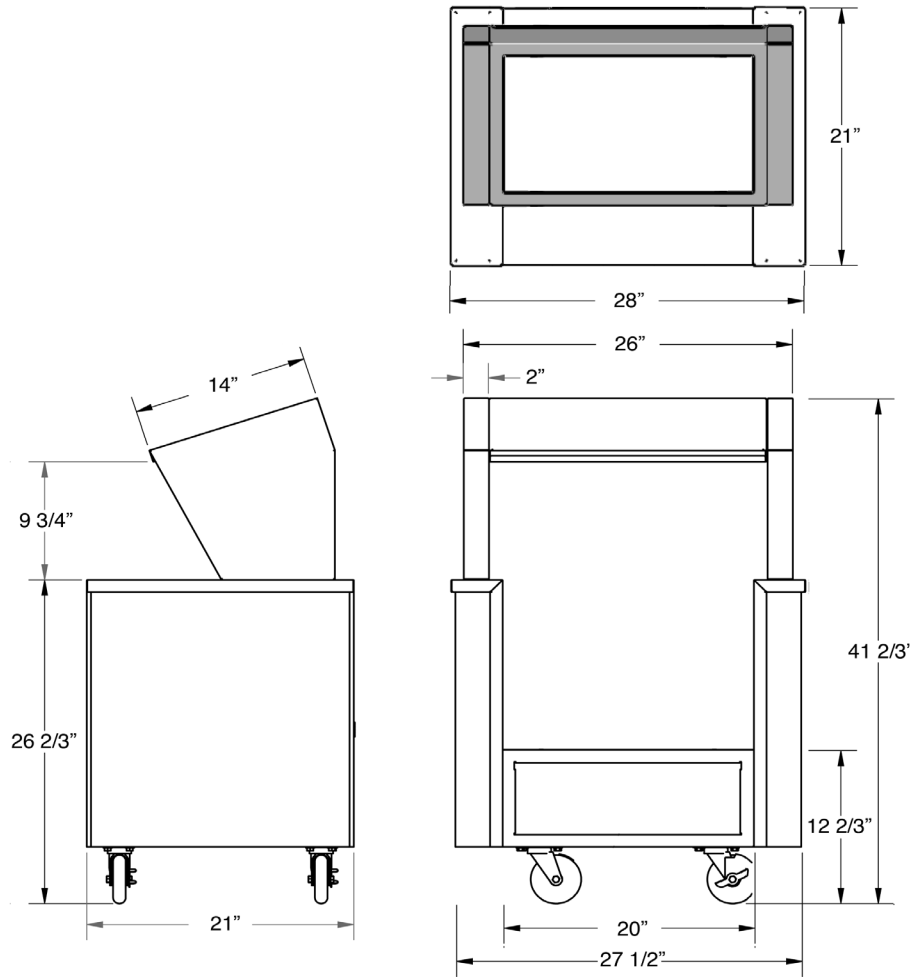
4900 West Electric Avenue • West Milwaukee, WI 53219 U.S.A.

800-558-8565 • 414-902-6400 • Fax 414-902-6446 • info@eLakeside.com • www.eLakesideFoodservice.com

Model  
155043

# Flex Prep

## Tray & Flatware Cart - Stainless Steel



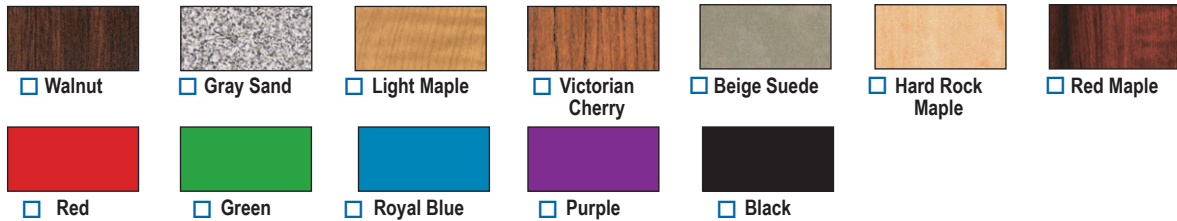
Model 155043

**Model Information:**

Model	Overall Size			Casters		Ship Wt. Lbs. (Kg)
	W	D	H	Type	Dia.	
155043	28"	21"	41 <sup>2</sup> / <sub>3</sub> "	All Swivel	4"	145 (65.8)
	(711)	533	1058)	2 ea. Brake	(102)	

*Dimensions in ( ) denote metric millimeters, unless otherwise noted.*

**Standard Finish Choices**



**Custom Finishes Available**



Lakeside Manufacturing, Inc.  
4900 West Electric Avenue • West Milwaukee, WI 53219 U.S.A.  
800-558-8565 • 414-902-6400 • Fax 414-902-6446  
info@eLakeside.com • www.eLakesideFoodservice.com