

Banquet Trucks

Stainless Steel Tough Transport® - 1000 Lb. Capacity



Model 588



Models

564, 565, 566, 567, 568, 569,
581, 582, 583, 584, 585, 586, 587, 588,
593, 564, 595, 596, 597, 598

Stainless steel, unitized welded construction gives you years of service life.

- Choose the type of shelf that best fits your needs:
 - 3 edges up, 1 down to help hold items on the shelves during transport.
 - All shelf edges down for easy loading and unloading from all sides.
- Easy to clean and sanitize.
- Extended perimeter bumper for added protection.
- Extra load Lake-Glide® 8" casters provide a smooth, easy transport.
- 1000 lb. (450 kg.) capacity is ideal for continuous heavy transport of heavy loads over a variety of floor surfaces.

Specifications

Unit shall be of all-welded stainless steel construction, with a total carrying capacity of 1000 lb. (450 kg). Shelves shall be of 18 gauge stainless steel with hemmed edges on all four sides for extra strength. Leg/frame assembly shall be of 14 gauge .120 x 1" x 1" stainless steel angle in U-frame design, eliminating the need for corner reinforcements. Casters shall be extra-load plate type, two swivel and two fixed, and shall be bolted to frame and cross member. Swivel casters shall feature double race, double ball bearing swivel design. Caster wheels shall be 8" (203 mm) diameter with non-marking polyurethane tread and roller bearing hub for easy movement under heavy loads. Cross members shall be 18 gauge stainless steel with galvanized steel reinforcement. Unit shall feature vinyl perimeter bumper extended from frame to protect walls and doors, and tubular push handle on both ends. Unit shall be NSF listed.

3 and 4 Shelf Models Only: Shelves shall be joined to legs with continuous TIG weld for extra strength.

70" Long Shelf Models Only: Shelves shall be reinforced on long sides with 14 gauge 1" x 1" stainless steel angle welded under the shelf edges.

Lakeside Manufacturing, Inc.

4900 West Electric Avenue • West Milwaukee, WI 53219 U.S.A.

800-558-8565 • 414-902-6400 • Fax 414-902-6446 • info@eLakeside.com • www.eLakesideFoodservice.com

Models

564, 565, 566, 567, 568, 569,
581, 582, 583, 584, 585, 586, 587, 588,
593, 564, 595, 596, 597, 598

Banquet Trucks

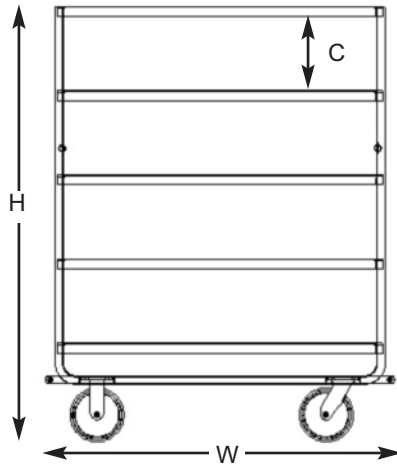
1000 Lb. Capacity



Top View



This product can expose you to wood dust and chemicals including chromium, which are known to the State of California to cause cancer. For more information go to: www.P65Warnings.ca.gov



Dimensions

AutoCAD drawings available through KCL CADalog

Model 3 Edges Up, 1 Down	Model All Shelf Edges Down	Shelf Description			Overall size			Case Weight	
		# of	Size	Clearance (C)	W	D	H	Lbs.	(Kg)
581	582	3	28" x 46" (711 x 1168)	23-1/2" (597)	51-3/4" (1314)	30-3/4" (781)	64-3/4" (1645)	186	(84.4)
583	584	4	28" x 46" (711 x 1168)	15-1/8" (384)	51-3/4" (1314)	30-3/4" (781)	64-3/4" (1645)	211	(95.7)
585	586	5	28" x 46" (711 x 1168)	11" (279)	51-3/4" (1314)	30-3/4" (781)	64-3/4" (1645)	236	(107.1)
587	588	6	28" x 46" (711 x 1168)	8-1/2" (216)	51-3/4" (1314)	30-3/4" (781)	64-3/4" (1645)	261	(118.4)
564	565	4	28" x 62" (711 x 1575)	15-1/8" (384)	67" (1702)	30-3/4" (781)	64-3/4" (1645)	240	(109.1)
566	567	5	28" x 62" (711 x 1575)	11" (279)	67" (1702)	30-3/4" (781)	64-3/4" (1645)	275	(125.0)
568	569	6	28" x 62" (711 x 1575)	8-1/2" (216)	67" (1702)	30-3/4" (781)	64-3/4" (1645)	305	(138.6)
593	594	4	28" x 70" (711 x 1778)	15-1/8" (384)	75" (1905)	30-3/4" (781)	64-3/4" (1645)	305	(138.6)
595	596	5	28" x 70" (711 x 1778)	11" (279)	75" (1905)	30-3/4" (781)	64-3/4" (1645)	345	(156.5)
597	598	6	28" x 70" (711 x 1778)	8-1/2" (216)	75" (1905)	30-3/4" (781)	64-3/4" (1645)	385	(174.6)

Measurements in () denote metric millimeters, unless otherwise specified.



Lakeside Manufacturing, Inc.
4900 West Electric Avenue • West Milwaukee, WI 53219 U.S.A.
800-558-8565 • 414-902-6400 • Fax 414-902-6446
info@eLakeside.com • www.eLakesideFoodservice.com