

# EZ Serve™ Condiment Cart

## Stainless Steel With VolPak® System

The convenience of VolPak condiment dispensing without the hassle of CO<sub>2</sub> tanks and pumps.



Model #70211



Model #70270

### Models

70200, 70201, 70210, 70211  
70220, 70221, 70270, 70271

- Utilizes convenient, economical disposable 3-gallon condiment pouches.
  - Reduces labor to refill and clean pumps and containers by as much as 75%.
  - Eliminates theft and waste up to 30%.
  - Decreases food costs up to 30%.
- No refrigeration, electrical power or CO<sub>2</sub> tanks needed - operates with easy to use hand pumps
- Safe and sanitary method of dispensing.
  - Sealed, sanitary pouches are vacuum sealed.
  - Reduced risk of bacterial contamination and customer intervention.
  - Pouches are easier and safer to handle than cans.
- Durable, easy to use dispensers are within reach for teens and adults. Dispensers can be mounted in any direction.
- System handles various thicknesses of condiments, including available salsas and relishes.
- Pumps can be easily cleaned in place - no disassembly required.
- Stainless steel interior and exterior is easy to clean and sanitize.
- Easy to maneuver with four tough-duty 5" (127 mm) swivel casters, two with brake.



Snap-on connectors make changing bags easy. One connector fits all condiment brands.



Lift-out bins simplify changing condiment pouches and cleaning.



Convenient hand key screw clamps make hose removal and cleaning easy.



Optional etched or color coded pump knobs easily identify condiments.

### Specifications:

Cart shall feature a closed, sealed, sanitary dispensing system for utilizing economical 3-gallon bulk packed condiment product, and shall not require refrigeration or electrical power. Cabinet shall be of welded stainless steel construction. Dispensing system shall include 4, 6, 8 or 12 free flow manual dispenser pumps with flexible plastic supply hoses, and shall include 2, 3 or 4 polyethylene bins for storage of condiment product pouches. Supply hoses shall feature universal VolPak snap-on connectors to fit all brands of condiment products, and shall connect to pumps with convenient hand key screw clamps. Pumps shall be able to be cleaned in place or to be easily disassembled for cleaning. Hinged doors shall be double-pan construction with locking paddle latch. Standard interior and exterior finish shall be stainless steel for easy cleaning and sanitation. Cart shall have 4 each 5" swivel Lake-Glide® casters, 2 ea. with brake.

Spec. # \_\_\_\_\_

A/A # \_\_\_\_\_

Lakeside Manufacturing, Inc.

4900 West Electric Avenue • West Milwaukee, WI 53219 U.S.A.

800-558-8565 • 414-902-6400 • Fax 414-902-6446 • info@eLakeside.com • www.eLakesideFoodservice.com

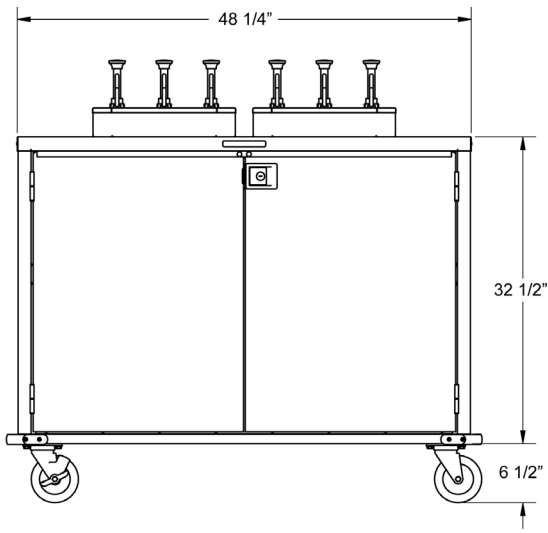
**Models**

70200, 70201, 70210, 70211  
70220, 70221, 70270, 70271

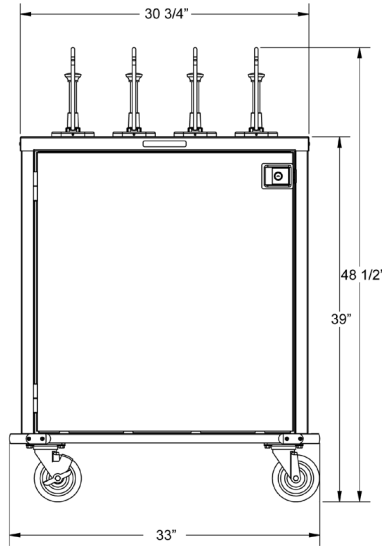
# EZ Serve™ Condiment Cart

Stainless Steel With VolPak® System

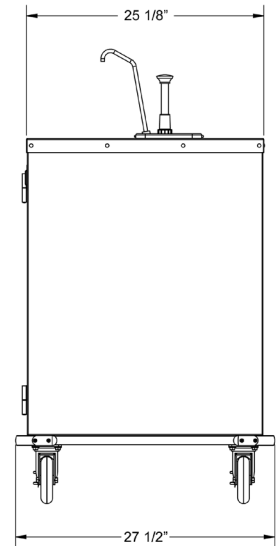
Spec. #



Model 70210

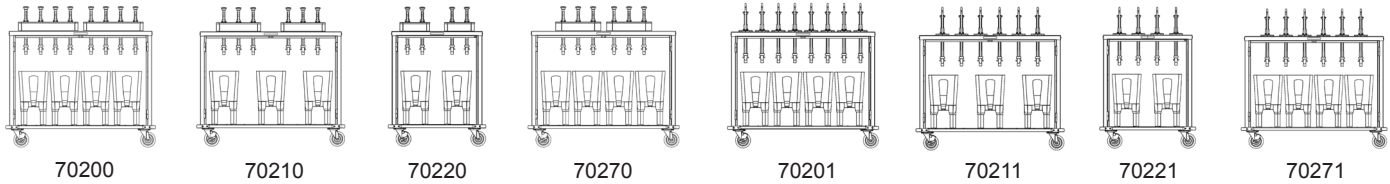


Model 70221



Model 70211/21

**Pump Configuration Options** (Custom configurations also available.)



Model	Description	Overall Size			Case Weight Lbs (Kg)
		W	L	H	

**Flat Top Surface Models**

70201	8 manual pumps Dispenses up to 4 products	27-1/2" (698)	50-1/4" 1276	48-1/2" 1232	455 (205.0)
70211	6 manual pumps Dispenses up to 3 products	27-1/2" (698)	50-1/4" 1276	48-1/2" 1232	455 (205.0)
70271	12 manual pumps Dispenses up to 3 products	27-1/2" (698)	50-1/4" 1276	48-1/2" 1232	467 (210.4)
70221	4 manual pumps Dispenses up to 2 products	27-1/2" (698)	33" 838	48-1/2" 1232	371 (167.1)

**Tower Pump Models**

70200	8 manual pumps Dispenses up to 4 products	27-1/2" (698)	50-1/4" 1276	47" 1194	460 (208.7)
70210	6 manual pumps Dispenses up to 3 products	27-1/2" (698)	50-1/4" 1276	47" 1194	460 (208.7)
70270	12 manual pumps Dispenses up to 3 products	27-1/2" (698)	50-1/4" 1276	47" 1194	472 (214.5)
70220	4 manual pumps Dispenses up to 2 products	27-1/2" (698)	33" 838	47" 1194	375 (168.9)

**Optional Accessories:**

- Color coded and/or etched knobs for pumps.
- Group 2 or custom laminate finishes over stainless steel exterior.
- Custom dispenser configuration

Measurements in ( ) denote metric millimeters, unless otherwise noted.



This product can expose you to wood dust and chemicals including chromium, which are known to the State of California to cause cancer. For more information go to: [www.P65Warnings.ca.gov](http://www.P65Warnings.ca.gov)



Lakeside Manufacturing, Inc.  
4900 West Electric Avenue • West Milwaukee, WI 53219 U.S.A.  
800-558-8565 • 414-902-6400 • Fax 414-902-6446  
info@eLakeside.com • www.eLakesideFoodservice.com

A/A #